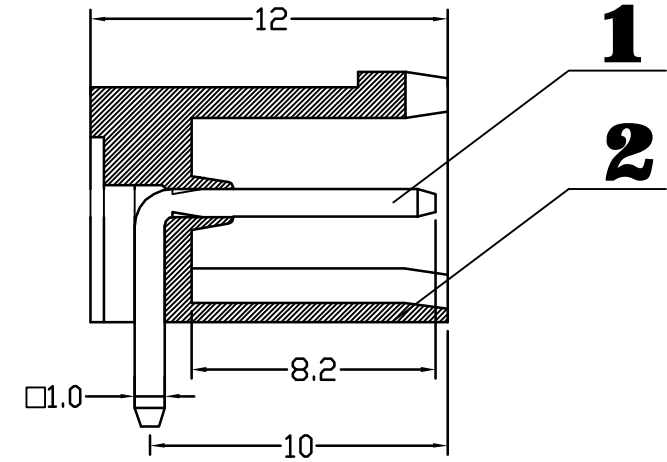
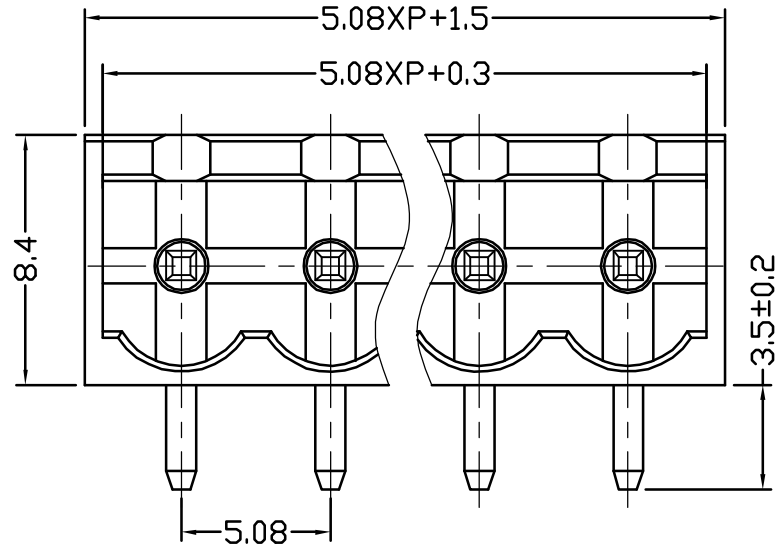


序号/RevNo.	名称/Title	文件编号/File No.
1	XY2500R端子	
2	XY2500D塑件	



250V 12A

Poles: 2P-24P

Pitch: 5.08mm±0.16mm

Pin Dimension: 1.0x1.0mm

Materials

Housing: Polyamide 6.6, Green

Solder Pin: Brass, 1.0t, Tin Plated

设计/Designed by	绘图/Drawing by	审核/Checked by	批准/Approved by	未注公差 General Tolerance	
				x. ±0.2	x.° ±2°
		图名/Title	文件编号/File No.	.x ±0.1	.x° ±1°
		XY2500R-D	页序/Sheet	.xx ±0.05	.xx° ±0.5°
				.xxx ±0.01	
		备注/Remark		单位/Units: mm	

序号/RevNo.	更改记录/Revision note	签名/Signature	日期/Date