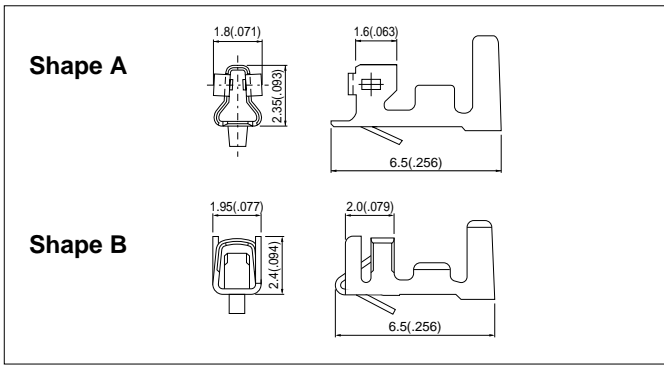


Contact



| Model No. | Shape | Applicable Wire | | | Q'ty / reel |
|-----------------------|-------|-----------------|----------|--------------------------|-------------|
| | | mm ² | AWG# | Insulation O.D mm(in.) | |
| SXH-001T-P0.6N | A | 0.13 to 0.33 | 26 to 22 | 1.3 to 1.9(.051 to .075) | 5,000 |
| SXH-001T-P0.6 | B | 0.08 to 0.33 | 28 to 22 | 1.2 to 1.9(.047 to .075) | 8,000 |
| SXH-002T-P0.6 | | 0.05 to 0.13 | 30 to 26 | 0.9 to 1.3(.035 to .051) | |

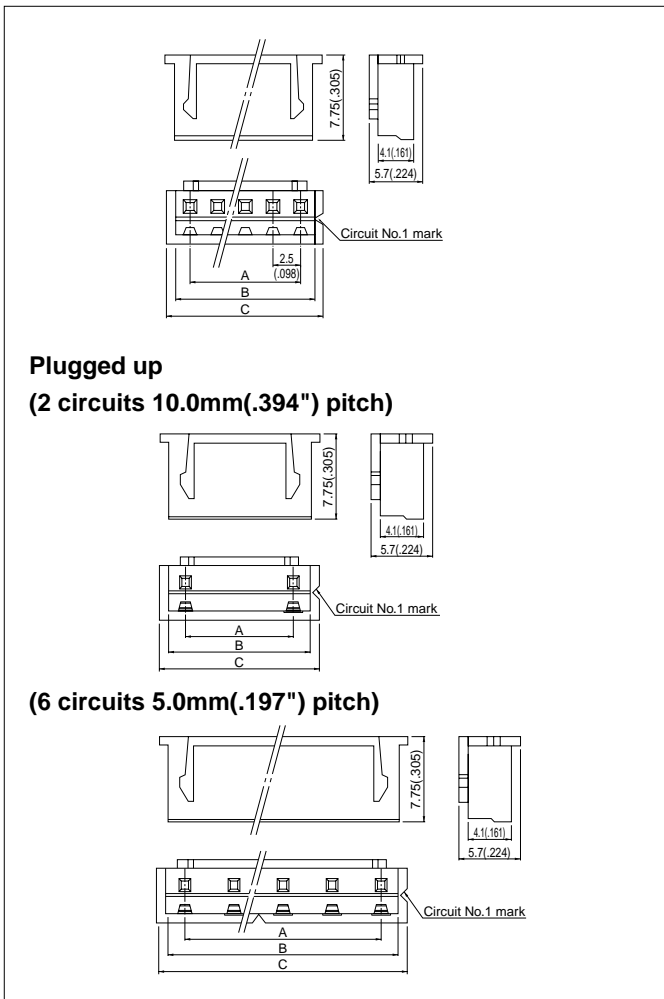
Material and Finish

Phosphor bronze, tin-plated

Note:

- Contact JST if you require gold-plated contacts or contacts made of brass.
- Contact JST also if you require shielded wires, thin wires or other special wires.
- SXH-001T-P0.6N is low-insertion force type contact, for easier insertion/withdrawal, which would be less resistant to the vibration.

Housing



| Circuits | Model No. | Dimensions mm(in.) | | | Q'ty / bag |
|----------|-----------------------|--------------------|-------------|-------------|------------|
| | | A | B | C | |
| 1 | XHP- 1 | — | 3.2(.126) | 4.8(.189) | 1,000 |
| 2 | XHP- 2 | 2.5(.098) | 5.7(.224) | 7.3(.287) | 1,000 |
| 2 | XHP- 2(10.0)-U | 10.0(.394) | 13.2(.520) | 14.8(.583) | 1,000 |
| 3 | XHP- 3 | 5.0(.197) | 8.2(.323) | 9.8(.386) | 1,000 |
| 4 | XHP- 4 | 7.5(.295) | 10.7(.421) | 12.3(.484) | 1,000 |
| 5 | XHP- 5 | 10.0(.394) | 13.2(.520) | 14.8(.583) | 1,000 |
| 6 | XHP- 6 | 12.5(.492) | 15.7(.618) | 17.3(.681) | 1,000 |
| 6 | XHP- 6(5.0)-U | 25.0(.984) | 28.2(1.110) | 29.8(1.173) | 1,000 |
| 7 | XHP- 7 | 15.0(.591) | 18.2(.717) | 19.8(.780) | 1,000 |
| 8 | XHP- 8 | 17.5(.689) | 20.7(.815) | 22.3(.878) | 1,000 |
| 9 | XHP- 9 | 20.0(.787) | 23.2(.913) | 24.8(.976) | 1,000 |
| 10 | XHP-10 | 22.5(.886) | 25.7(1.012) | 27.3(1.075) | 1,000 |
| 11 | XHP-11 | 25.0(.984) | 28.2(1.110) | 29.8(1.173) | 1,000 |
| 12 | XHP-12 | 27.5(1.083) | 30.7(1.209) | 32.3(1.272) | 1,000 |
| 13 | XHP-13 | 30.0(1.181) | 33.2(1.307) | 34.8(1.370) | 1,000 |
| 14 | XHP-14 | 32.5(1.280) | 35.7(1.406) | 37.3(1.469) | 1,000 |
| 15 | XHP-15 | 35.0(1.378) | 38.2(1.504) | 39.8(1.567) | 1,000 |
| 16 | XHP-16 | 37.5(1.476) | 40.7(1.602) | 42.3(1.665) | 1,000 |
| 20 | XHP-20 | 47.5(1.870) | 50.7(1.996) | 52.3(2.059) | 500 |

Material

Nylon 6, UL94V-0, natural (white)

Note:

- XHP-2(10.0)-U is 2 circuits 10.0mm(.394") pitch plugged up. Not UL/CSA/TÜV approved.
- XHP-6(5.0)-U is 6 circuits 5.0mm(.197") pitch plugged up. Not UL/CSA/TÜV approved.

<For reference> As the color identification, the following alphabet shall be put in the underlined part. For availability, delivery and minimum order quantity, contact JST.

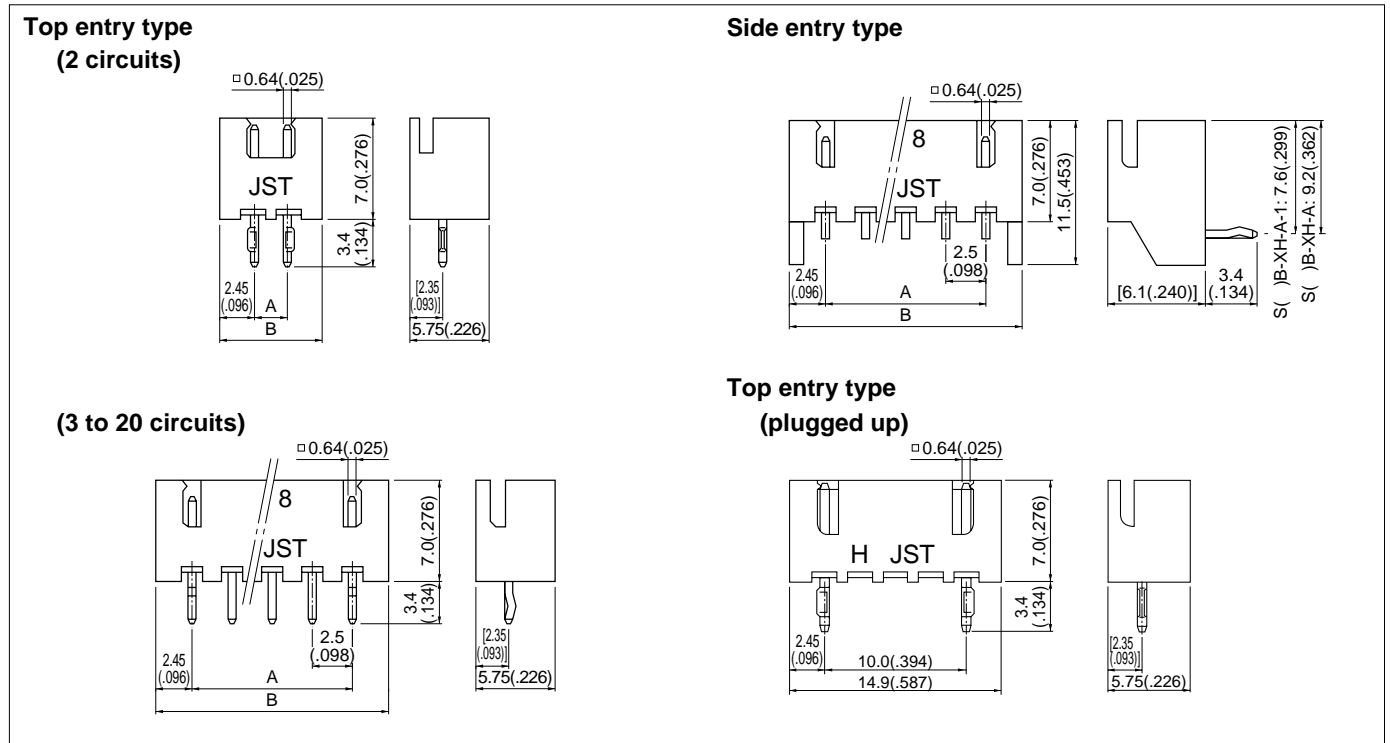
ex. **XHP-1-oo**
 (blank)...natural (white)
 BK...black R...red E...blue Y...yellow L...lemon yellow
 M...green D...orange N...brown FY...vivid yellow

<Plugged up type>

ex. **XHP-2(10.0)-U-oo**
 (blank)...natural (white)
 R...red E...blue

Through-hole type shrouded header

The shrouded headers are interchangeable with those of the BR, NR and NRD insulation displacement connectors, and JQ board-to-board connectors.



| Circuits | Model No. | | Dimensions mm(in.) | | Q'ty / box | |
|----------|--------------------------|--------------------|--------------------|-------------|----------------|-----------------|
| | Top entry type | Side entry type | A | B | Top entry type | Side entry type |
| 2 | B 2B-XH-A | — | 2.5(.098) | 7.4(.291) | 1,000 | 1,000 |
| 2 | B2 (10.0)B-XH-A-U | — | 10.0(.394) | 14.9(.587) | 1,000 | 1,000 |
| 3 | B 3B-XH-A | S 3B-XH-A-1 | 5.0(.197) | 9.9(.390) | 1,000 | 1,000 |
| 4 | B 4B-XH-A | S 4B-XH-A-1 | 7.5(.295) | 12.4(.488) | 500 | 500 |
| 5 | B 5B-XH-A | S 5B-XH-A-1 | 10.0(.394) | 14.9(.587) | 500 | 500 |
| 6 | B 6B-XH-A | S 6B-XH-A-1 | 12.5(.492) | 17.4(.685) | 500 | 500 |
| 7 | B 7B-XH-A | S 7B-XH-A-1 | 15.0(.591) | 19.9(.783) | 500 | 250 |
| 8 | B 8B-XH-A | S 8B-XH-A-1 | 17.5(.689) | 22.4(.882) | 500 | 250 |
| 9 | B 9B-XH-A | S 9B-XH-A-1 | 20.0(.787) | 24.9(.980) | 500 | 250 |
| 10 | B10B-XH-A | S10B-XH-A-1 | 22.5(.886) | 27.4(1.079) | 250 | 250 |
| 11 | B11B-XH-A | S11B-XH-A-1 | 25.0(.984) | 29.9(1.177) | 250 | 250 |
| 12 | B12B-XH-A | S12B-XH-A-1 | 27.5(1.083) | 32.4(1.276) | 250 | 200 |
| 13 | B13B-XH-A | S13B-XH-A-1 | 30.0(1.181) | 34.9(1.374) | 250 | 200 |
| 14 | B14B-XH-A | S14B-XH-A-1 | 32.5(1.280) | 37.4(1.472) | 250 | 200 |
| 15 | B15B-XH-A | S15B-XH-A-1 | 35.0(1.378) | 39.9(1.571) | 250 | 100 |
| 16 | B16B-XH-A | — | 37.5(1.476) | 42.4(1.669) | 200 | 100 |
| 20 | B20B-XH-A | — | 47.5(1.870) | 52.4(2.063) | 100 | — |

Material and Finish

Post: Brass, copper-undercoated, tin/lead-plated
 Wafer: Nylon 66, UL94V-0, natural (white)

Note: B2(10.0)B-XH-A-U is 2 circuits 10.0mm(.394") pitch plugged up. Not UL/CSA/TUV approved.

<For reference> As the color identification, the following alphabet shall be put in the underlined part. For availability, delivery and minimum order quantity, contact JST.

ex. **S3B-XH-A(-1)-oo**

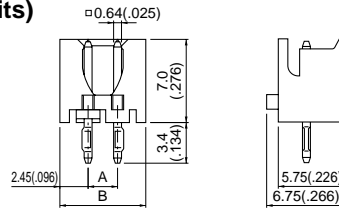
(blank)...natural (white)

BK...black R...red E...blue Y...yellow L...lemon yellow M...green D...orange N...brown FY...vivid yellow

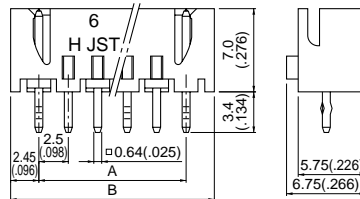
Through-hole type shrouded header

Top entry type of glass-filled nylon

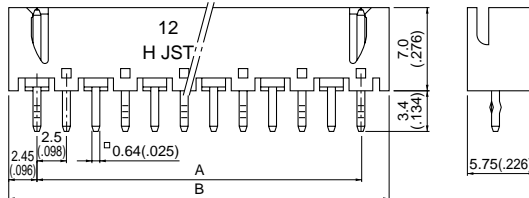
(2 circuits)



(3 to 8 circuits)



(9 to 15 circuits)



| Circuits | Model No. | Dimensions mm(in.) | | Qty / box |
|----------|------------------|--------------------|-------------|-----------|
| | | A | B | |
| 2 | B 2B-XH-2 | 2.5(.098) | 7.4(.291) | 1,000 |
| 3 | B 3B-XH-2 | 5.0(.197) | 9.9(.390) | 1,000 |
| 4 | B 4B-XH-2 | 7.5(.295) | 12.4(.488) | 500 |
| 5 | B 5B-XH-2 | 10.0(.394) | 14.9(.587) | 500 |
| 6 | B 6B-XH-2 | 12.5(.492) | 17.4(.685) | 500 |
| 7 | B 7B-XH-2 | 15.0(.591) | 19.9(.783) | 500 |
| 8 | B 8B-XH-2 | 17.5(.689) | 22.4(.882) | 250 |
| 9 | B 9B-XH-2 | 20.0(.787) | 24.9(.980) | 250 |
| 10 | B10B-XH-2 | 22.5(.886) | 27.4(1.079) | 250 |
| 11 | B11B-XH-2 | 25.0(.984) | 29.9(1.177) | 250 |
| 12 | B12B-XH-2 | 27.5(1.083) | 32.4(1.276) | 250 |
| 13 | B13B-XH-2 | 30.0(1.181) | 34.9(1.374) | 250 |
| 14 | B14B-XH-2 | 32.5(1.280) | 37.4(1.472) | 250 |
| 15 | B15B-XH-2 | 35.0(1.378) | 39.9(1.571) | 250 |

Material and Finish

Post: Brass, copper-undercoated, tin/lead-plated

Wafer: Glass-filled nylon 66, UL94V-0, natural (ivory)

<For reference> As the color identification, the following alphabet shall be put in the underlined part. For availability, delivery and minimum order quantity, contact JST.

ex. **B2B-XH-2-oo**

(blank)...natural (ivory)

C...black R...red E...blue Y...yellow M...green