

Reed Switch Direct Mounting Style D-A90(V)/D-A93(V)/D-A96(V)

Grommet
Electrical entry: In-line

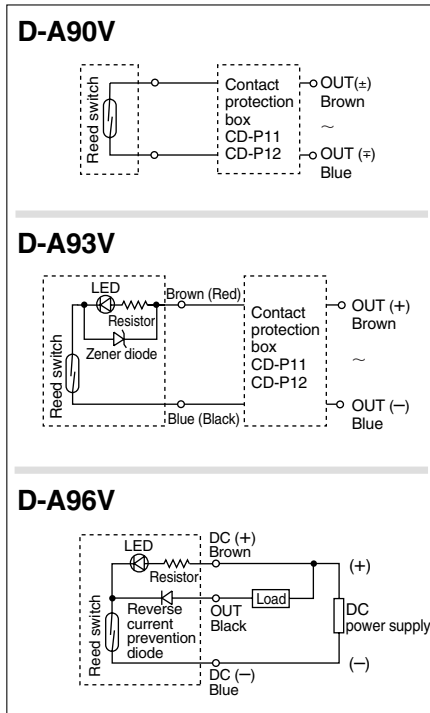


Caution

Precautions

- Fix the switch with appropriate screw installed on the switch body. If using other screws, switch may be damaged.

Auto Switch Internal Circuit
Colors of lead wire inside () are the ones before conformed to IEC standard.



Note 1) Operating load is an induction load.

Note 2) Wiring to the load is 5 m or longer.

Note 3) Load voltage is 100 VAC.

Use the contact protection box in any of the above listed situations. The contact point life may decrease. (Refer to page 6-16-7 for contact protection box.)

Auto Switch Specifications

PLC: Abbreviation of Programmable Logic Controller

| D-A90, D-A90V (Without indicator light) | | | |
|--|---|----------------------------|-----------------------------|
| Auto switch model | D-A90, D-A90V | | |
| Applicable load | IC circuit, Relay, PLC | | |
| Load voltage | 24 V _{AC} or less | 48 V _{AC} or less | 100 V _{AC} or less |
| Maximum load current | 50 mA | 40 mA | 20 mA |
| Contact protection circuit | None | | |
| Internal resistance | 1 Ω or less (Including lead wire length of 3 m) | | |
| D-A93, D-A93V, D-A96, D-A96V (With indicator light) | | | |
| Auto switch model | D-A93, D-A93V | | D-A96, D-A96V |
| Applicable load | Relay, PLC | | IC circuit |
| Load voltage | 24 VDC | 100 VAC | 4 to 8 VDC |
| Load current range and Maximum load current ⁽³⁾ | 5 to 40 mA | 5 to 20 mA | 20 mA |
| Contact protection circuit | None | | |
| Internal voltage drop | D-A93 — 2.4 V or less (up to 20 mA)/3 V or less (up to 40 mA) D-A93V — 2.7 V or less | | 0.8 V or less |
| Indicator light | Red LED lights when ON. | | |

Lead wire

D-A90(V)/D-A93(V)—Oil resistant vinyl heavy-duty cord, $\phi 2.7$, 0.18 mm² x 2 cores (Brown, Blue), 0.5 m

D-A96(V)—Oil resistant vinyl heavy-duty cord, $\phi 2.7$, 0.15 mm² x 3 cores (Brown, Black, Blue), 0.5 m

Note 1) Regarding the common specifications of the reed switches, refer to page 6-16-7.

Note 2) Regarding the lead wire length, refer to page 6-16-7.

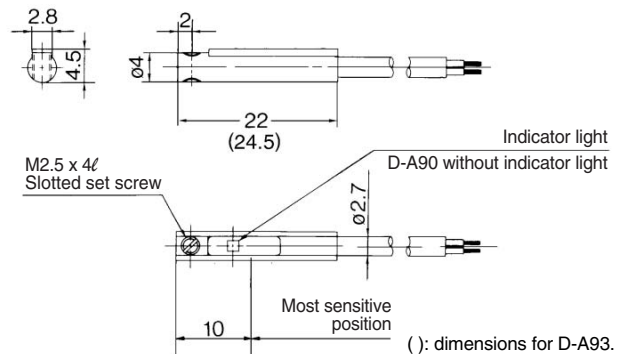
Note 3) Under 5 mA, the strength of the indicator light is poor. In some cases, visibility of the indicator light will not be possible where the output signal is less than 2.5 mA. However, there is no problem in terms of contact output, when an output signal exceeds 1 mA or more.

Weight

| Model | D-A90 | D-A90V | D-A93 | D-A93V | D-A96 | D-A96V |
|-------------------------|-------|--------|-------|--------|-------|--------|
| Lead wire length: 0.5 m | 6 | 6 | 6 | 6 | 8 | 8 |
| Lead wire length: 3 m | 30 | 30 | 30 | 30 | 41 | 41 |

Dimensions

D-A90, D-A93, D-A96



D-A90V, D-A93V, D-A96V

