

OUTPUT:0.9W-40W

WEIGHT: 71g

Typical Applications : Home Appliances> Vacuum Cleaner

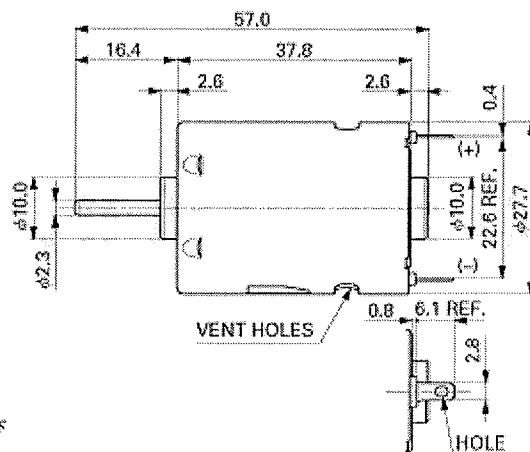
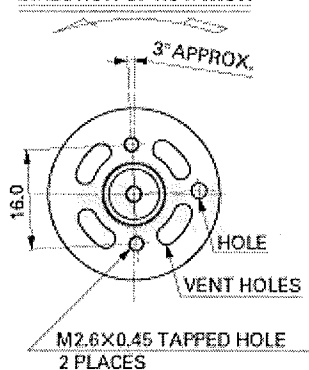
*By clicking the "MODEL", you can display the Performance Chart Simulation.

MODEL	VOLTAGE	NO LOAD			AT MAXIMUM EFFICIENCY				STALL		
		OPERATING RANGE	NOMINAL	SPEED	CURRENT	SPEED	CURRENT	TORQUE	OUTPUT	TORQUE	CURRENT
		V	r/min	A	r/min	A	mN·m g·cm	W	mN·m g·cm	A	
RS-380SH	4535(*1)	3 - 6	6	18000	0.80	15220	4.38 11.7 119	18.6	75.6 771	24.0	

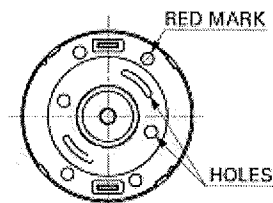
(*1) CCW shifted commutation (CCW+)

The terminal position against the tapped holes varies depending on CW+/NEUTRAL.

DIRECTION OF ROTATION



CCW+



取付けネジの長さはモータケース面より3.0以下
Usable machine screw length 3.0 max. from motor mounting surface.

UNIT: MILLIMETERS

6.0V

