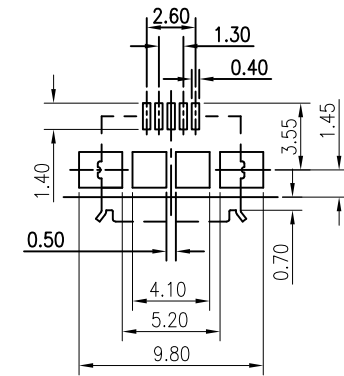
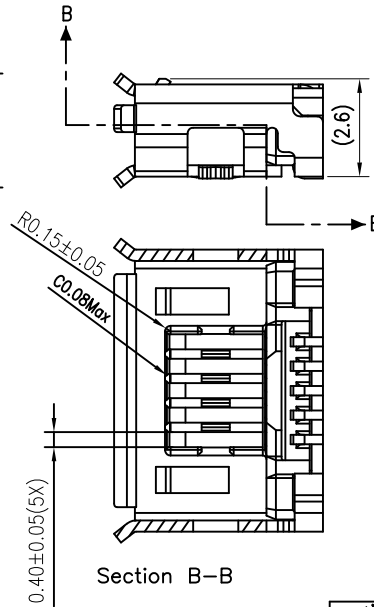
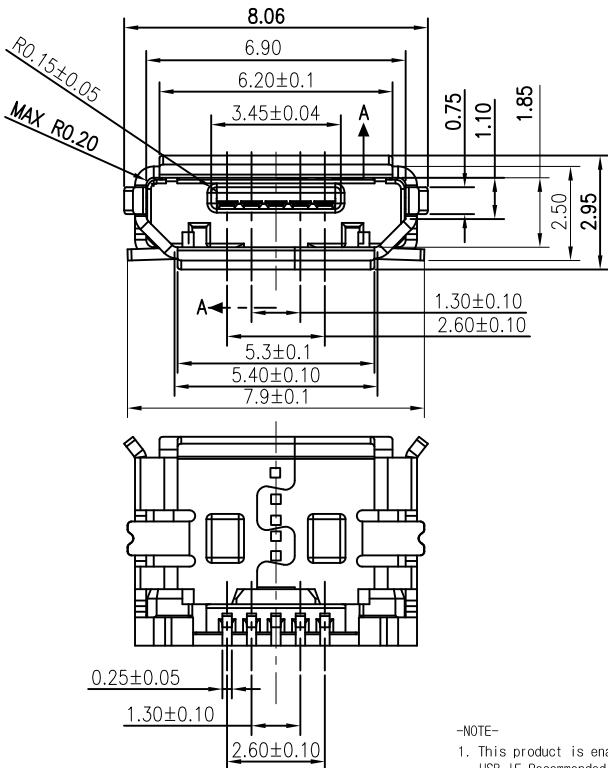


Section A-A (10:1)



RECOMMENDED PCB LAYOUT



Section B-B

-NOTE-

- This product is enable to mount both USB-IF Recommended PCB pattern bottom of soldering terminals
- Coplanarity : The dimension between flat tool and when connector put on the flat tool like PCB Signal Contact ter' solder tail : Max 0.08 mm Metal tab : Max 0.1mm
- PRODUCT NUMBERING: 10104110 - 0001 LF

ITEM	DESCRIPTION	MATERIAL	FINISH	QTY
1	HOUSING	THERMOPLASTIC+GF	BLACK	1
2	CONTACT	COPPER ALLOY	PLATING : Au PLATED OVER NICKEL OVERALL	1
3	SHELL	STAINLESS STEEL	PLATING : TIN OVER NICKEL OVERALL	1

mat'l. code		tolerances unless otherwise specified		CUSTOMER COPY	
ltr	ecn no	dr	date	linear	.X ± 0.38
A	T10-0002	J.H	1/7/10		.XX ± 0.25
B	T10-0063	J.H	5/12/10	angles	.XXX ± 0.10
					0° ± 2°
sheet index	revision sheet	B	1	dr	JASON HSU 1/7/10
				enr	JASON HSU 1/7/10
				chr	GARY HSIEH 1/7/10
				appd	JOSEPH HSIA 1/7/10

CUSTOMER COPY		title	
projection		MICRO USB B TYPE RECEPTACLE	
MM		product family	USB
scale	5:1	size	dwg no
		A4	
		code	TWN
		sheet	1 of 1