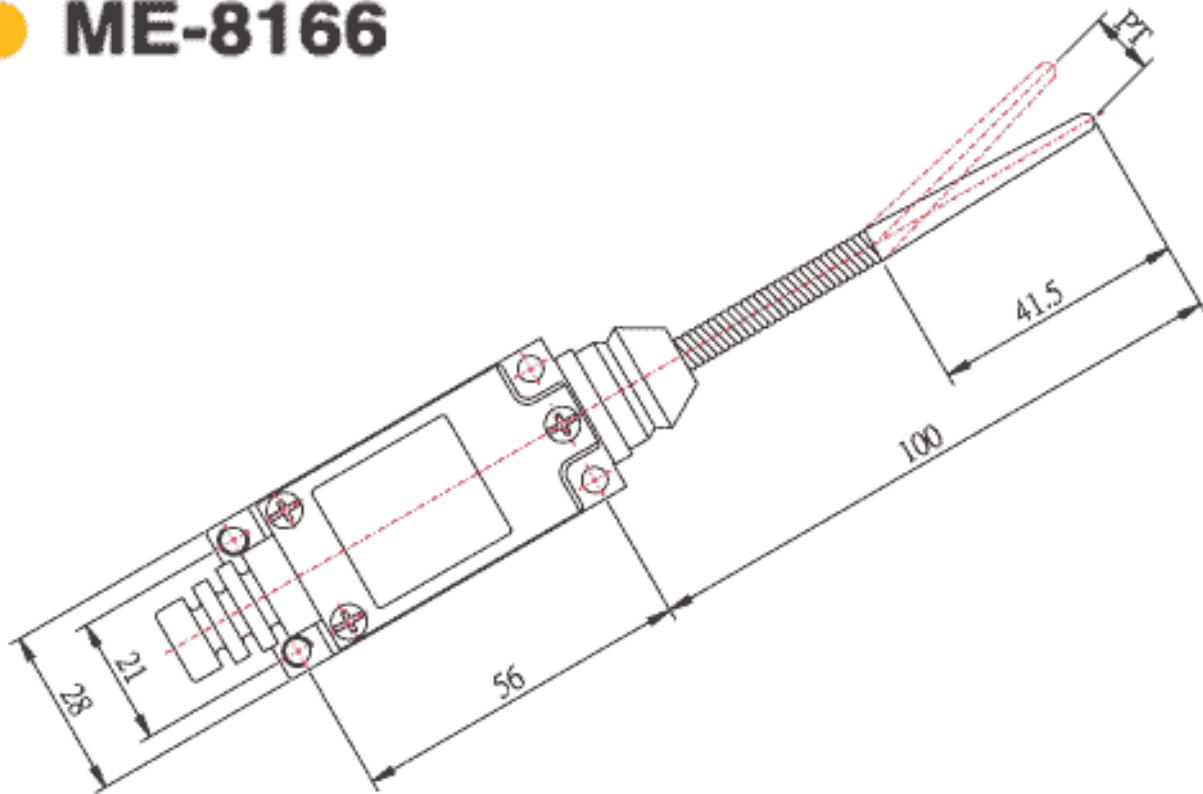


ME-8166



● ME-8166



Electrical Features

Model	V max (VAC)	I max (VAC)	V max (VDC)	I max (VDC)
ME-8104	250	5	115	0.4
XZ7-121	250	10	115	0.8
LXW5-11Q1	220	3	100	0.2
ME-8108	250	5	115	0.4
ME-9101	250	5	110	0.4
ME-8166	250	5	115	0.4