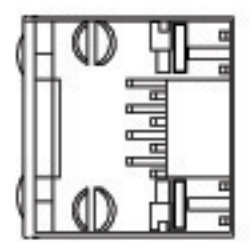
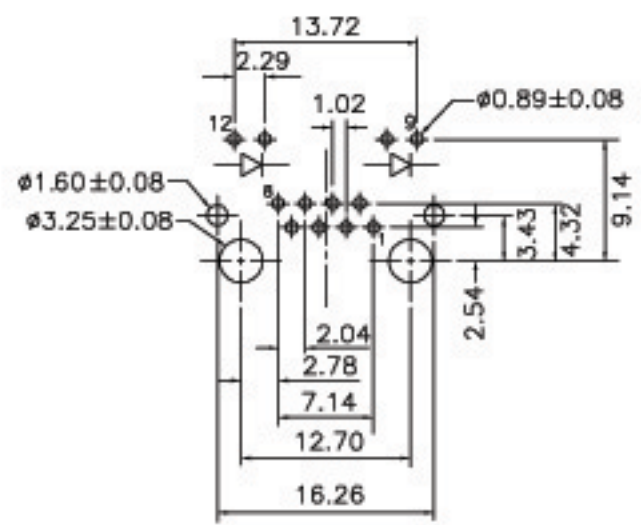
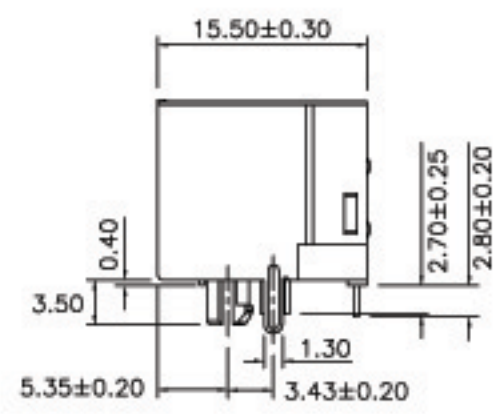
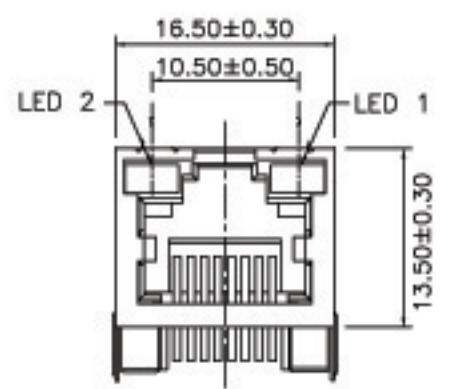


REV.	SPECIFICATION	ECN NO.	APPO.



Material:
Housing: Thermoplastic Polyester Glass Filled UL94V-0.
Contacts: Copper Alloy.
Shell: Copper Alloy.

Electrical Characteristics:
Current Rating: 1.5 AMP.
Dielectric Withstanding Voltage: AC 1000V For 1 minute.
Insulator Resistance: 500MΩ min.
Contact Resistance: 20mΩ max.
Operating Temperature: -40°C~+85°C.

***RoHS Compliant**

P.C.Board Layout

8949-BL1 **8** **8** **1** **/06** **S** **1** **A** **B** **A**
Series 8:8 Position 8:8 Contacts 1:1 Port 06:6μ" Gold Plated S: Shield 1:With Grounding A:LED1:Green LED2:Yellow B: Black A:Tray Package

Tolerances	Drawn No.	8949D02133	Title:						
x = ±0.5	Projection		8949-L1 Series		P/N: 8949-BL1881/06S1ABA				
.x = ±0.35	Unit	mm	Scale	1:1	SHEET		1/1	Ver.No.	A2
.xx = ±0.25	Drawn By	Rikey 01/20'10	Modular Jack With LED						
			① 774						