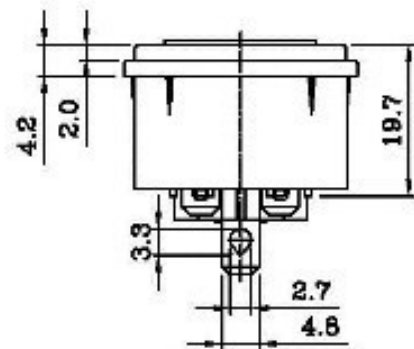


PANEL CUT-OUT



SPECIFICATION:

1. INSULATION RESISTANCE: OVER 100MΩ 500V DC.
2. DIELECTRIC STRENGTH: 2000V AC ONE MINUTE.
3. Body Material: Black Glass Fiber Thermoplastic . UL 94V-2-0

Rating:AC 15A 250V	
Mark	Safety Regulation
cULus	cULus
Rating:AC 10A 250V	
Mark	Safety Regulation
⊕	xx

SPECIFICATION (SWITCH):

- 1.CIRCUIT : DPST ON-OFF.
- 2.CONTACT RESISTANCE : 30MΩ Max.
- 3.INSULATION RESISTANCE : DC 500V 100MΩ Min.
- 4.WITHSTAND VOLTAGE : AC 1000V 1 Minute.
- 5.OPERATION FORCE : 500±300g.
- 6.ELECTRICAL LIFE : 10,000 Cycles At Full Load.
- 7.OPERATING TEMPERATURE RANGE : -25°C ~ +65°C.
- 8.SOLDERING : 260°C FOR 3 Sec.
- 9.DIELECTRIC STRENGTH: 2000V AC 1 Minute.
- 10.BODY MATERIAL : Black Glass-Fiber Thermoplastic. UL 94V-2-0.

注：用帝川 IO/RL3-221-G-2-G/B-P5/6A~10A

IMPORTANT THIS DRAWING FOR REFERENCE ONLY 注意：此圖只供參考用

	UNIT	UNIT QTY	SCALE	TOLERANCE	X.XX±0.1 XX.XX±0.2 XXX.XX±0.3	PRODUCT NO.	REV
	mm	1	1:1				
DRAWN BY	李	APPROVED BY	羅	ID NO	11022206Q	INTERIM NO.	D
	2011.02.22		2011.02.22				
	小英		士凱	DESCRIPTION		NEW NO.	